



## Type

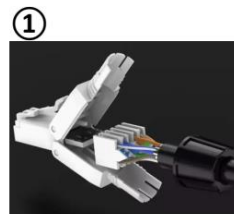
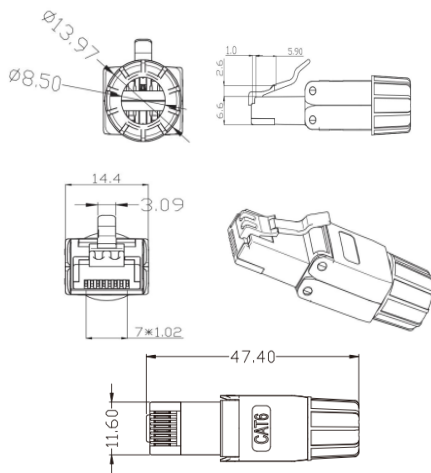
- CAT6 RJ45 UNSHIELDED TOOLLESS CONNECTOR
- COLOR: WHITE AND BLACK
- ROHS, REACH COMPLIANT

## Electrical

- CONTACT RESISTANCE: 20m OHM
- INSULATION RESISTANCE:  $\leq 250m$  OHM @ 100V DC
- WITHSTAND VOLTAGE: DC1000V AC700V RMS 60Hz IMIN
- CAT6 PERMANENT LINK: CONFIRM TO ANSI/TIA/EIA 568B. 2-10

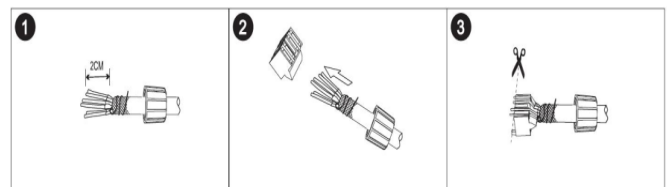
## Mechanical

- PLASTIC MATERIAL: NEW PC
- GOLD PINS: PHOSPHO BRONZE, GOLD PLATING 3U"
- TERMINAL PINS: PHOSPHO BRONZE, ZIN PLATING
- RJ45 CONTACT LIFE: 750 TIMES MIN
- IDC TERMINAL LIFE: 250 TIMES MIN



## Cable Matched

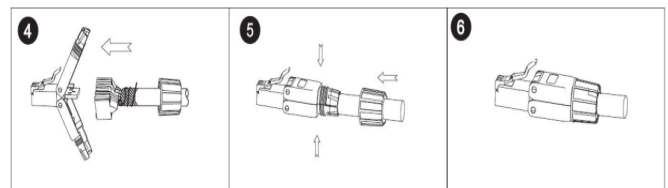
- SOLID AND STRANDED
- 22AWG/23AWG/24AWG.



1 TAKE OF THE CABLE JACKET BY TOOL ABOUT 2CM

2 PUT CABLE INTO IDC ACCORDING TERMINAL T568

3 CUT AWAY THE EXTRA WIRES



4 TO INSERT IDC INTO PCB

5 PRESS DOWN BOTH SIDE PLASTIC HOUSING UNTIL THE WIRE INTO THE IDC PIN CHASE

6 THE FINISHED PRODUCT

## Environment

- STORAGE:  $-40^{\circ}$  /  $+70^{\circ}$
- OPERATION:  $-10^{\circ}$  /  $+60^{\circ}$

## Ordering Information

Part No	Name of items	COLOR
36-3002WT	CAT6 RJ45 UNSHIELDED TOOLLESS CONNECTOR	WHITE+BLACK